

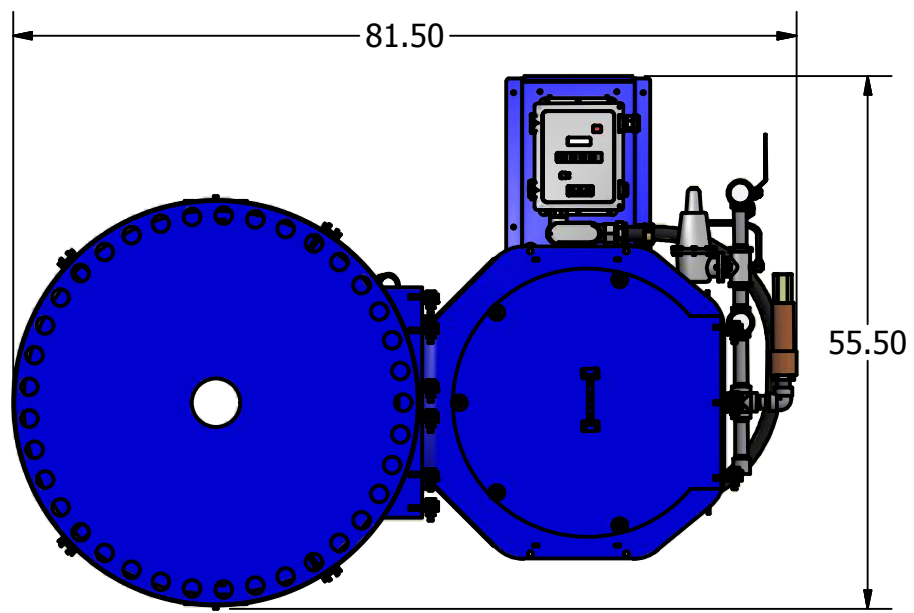
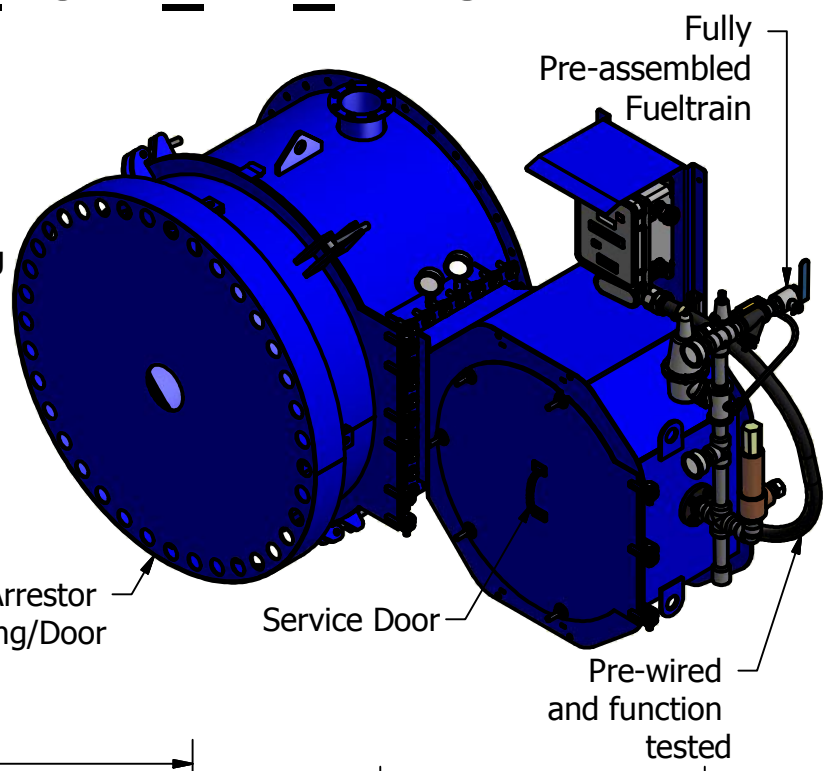
2

1

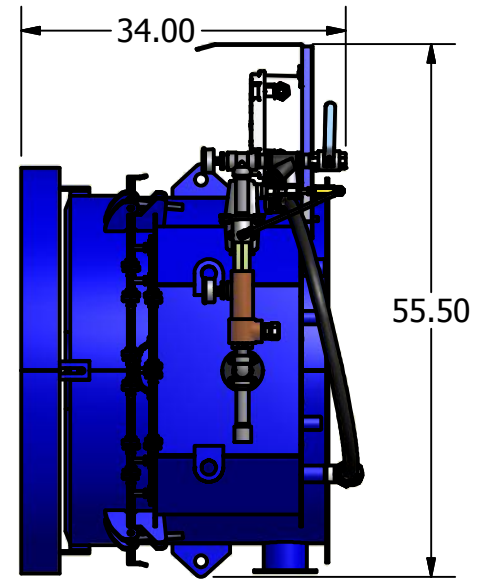
MODEL # 05-U10_2017_HP_PILOT

PRODUCT FEATURES:

- Arrives on site pre-assembled and function tested
- SCC/CSA field approval ready
- Dual fuel capable, run on 2 dissimilar BTU value fuels without changing orifices
- All Applications between 5-10MM BTU/Hr
- Includes patented Kenilworth Combustion burner
- Designed to prevent freeze off from wet fuel gas
- Low power consumption
- Ultra low emissions
- Flue Gas Recirculation (FGR)
- Reduce installation time by 90%



FRONT VIEW



SIDE VIEW

ADDITIONAL OPTIONS

- Patented Flame Scavenger Burner
- Patented FGR (Flue Gas Recirculation) Burner
- Patented Triple Stage Burner
- Pre-installed Heat Trace
- SCC/CSA Field Certification

KENILWORTH COMBUSTION

MODEL NUMBER
05-U10_2017_HP_PILOT

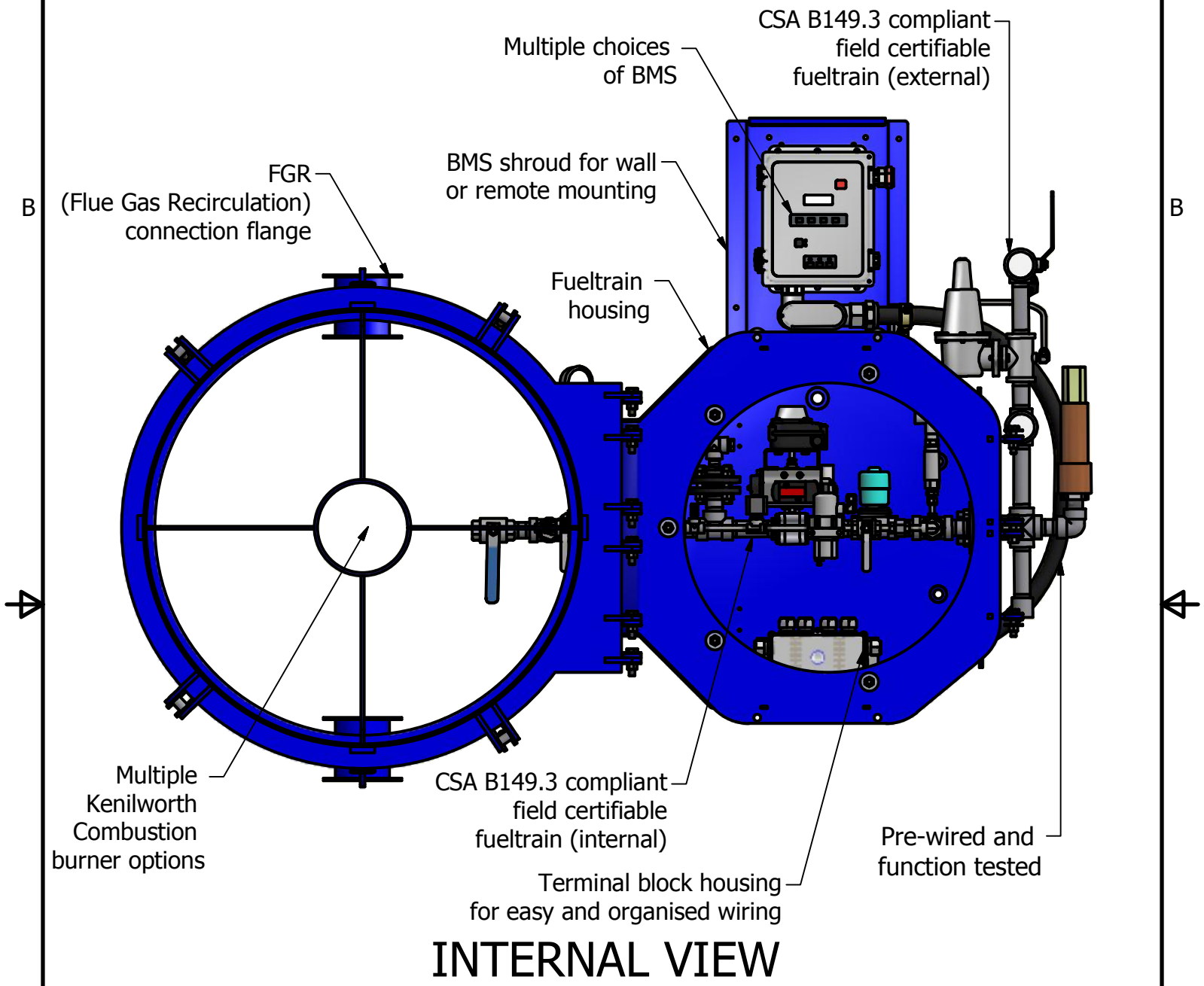
Contact info
www.kenilworth.ca
 (780)-853-5340
info@kenilworth.ca

SIZE	A	PRODUCT TYPE	REV
		05-U10_SPEC PAGE	
SCALE		SHEET 1 OF 2	

2

1

MODEL #
05-U10_2017_HP_PILOT



INTERNAL VIEW

ADDITIONAL OPTIONS

- Patented Flame Scavenger Burner
- Patented FGR (Flue Gas Recirculation) Burner
- Patented Triple Stage Burner
- Pre-installed Heat Trace
- SCC/CSA Field Certification

KENILWORTH COMBUSTION

MODEL NUMBER

05-U10_2017_HP_PILOT

Contact info
www.kenilworth.ca
(780)-853-5340
info@kenilworth.ca

SIZE
A

PRODUCT TYPE

05-U10_SPEC PAGE

REV

SCALE

SHEET 2 OF 2