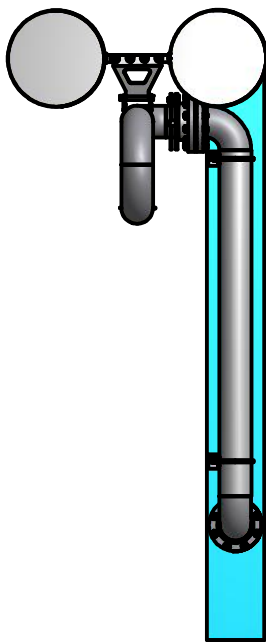
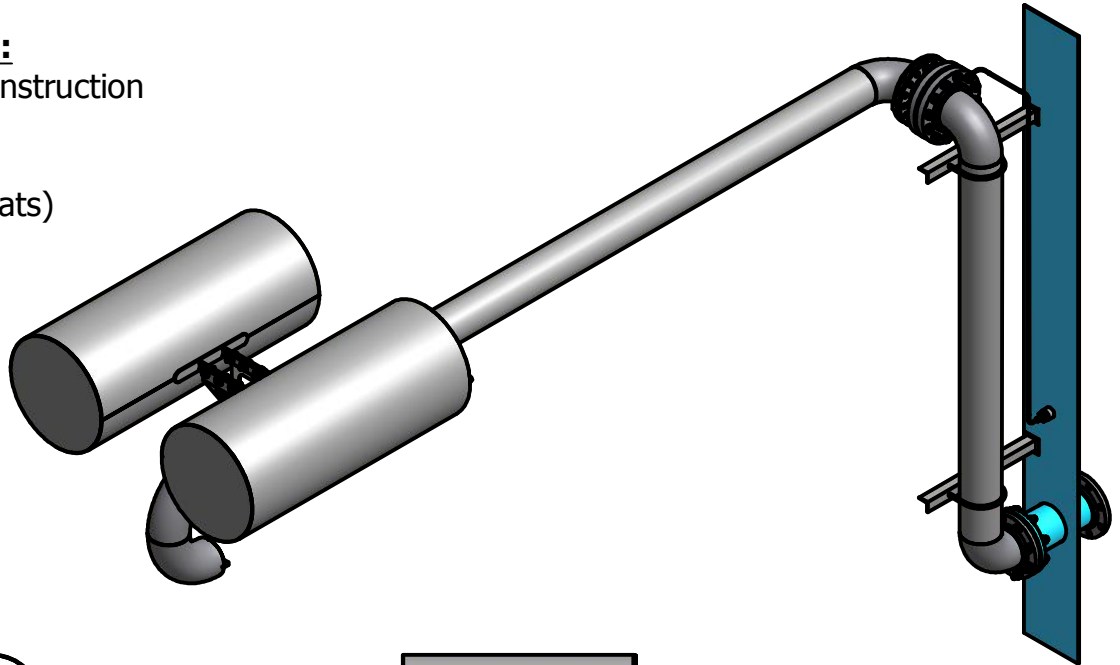


# SKIM SYSTEM

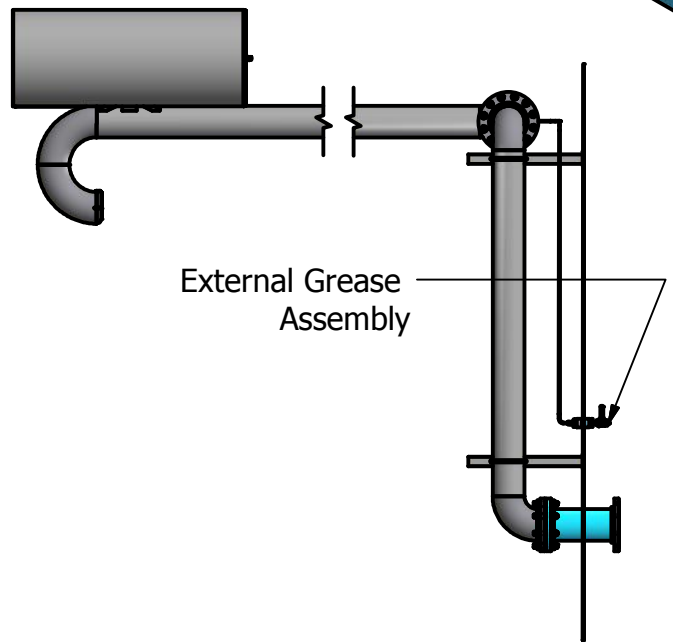
## 6 inch

### PRODUCT FEATURES:

- 316 Stainless Steel Construction
- No Cables
- Free Floating (6" model has dual floats)
- Easy Installation
- Externally Maintained
- 20 Years of Proven Field Performance



FRONT VIEW



SIDE VIEW

### ADDITIONAL OPTIONS

- 3.00 PIPE DIAMETER
- 4.00 PIPE DIAMETER
- 6.00 PIPE DIAMETER

# **KENILWORTH COMBUSTION**

MODEL NUMBER

**Skim System 6"**

Contact info  
[www.kenilworth.ca](http://www.kenilworth.ca)  
 (780)-853-5340  
[info@kenilworth.ca](mailto:info@kenilworth.ca)

SIZE  
**A**

PRODUCT TYPE  
**Skim System**

REV  
**1**

SCALE

SHEET 1 OF 2

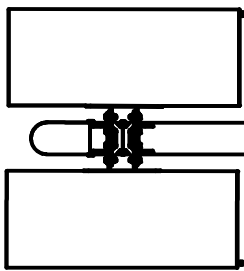
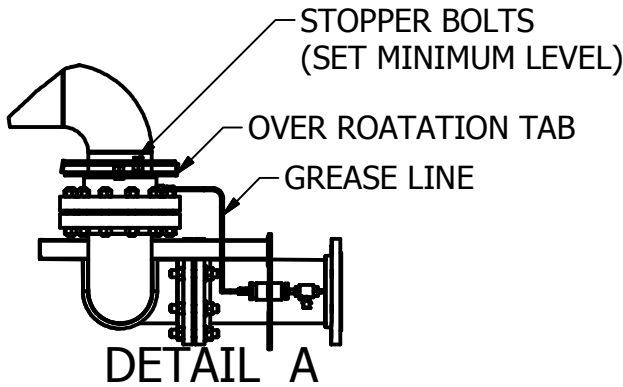
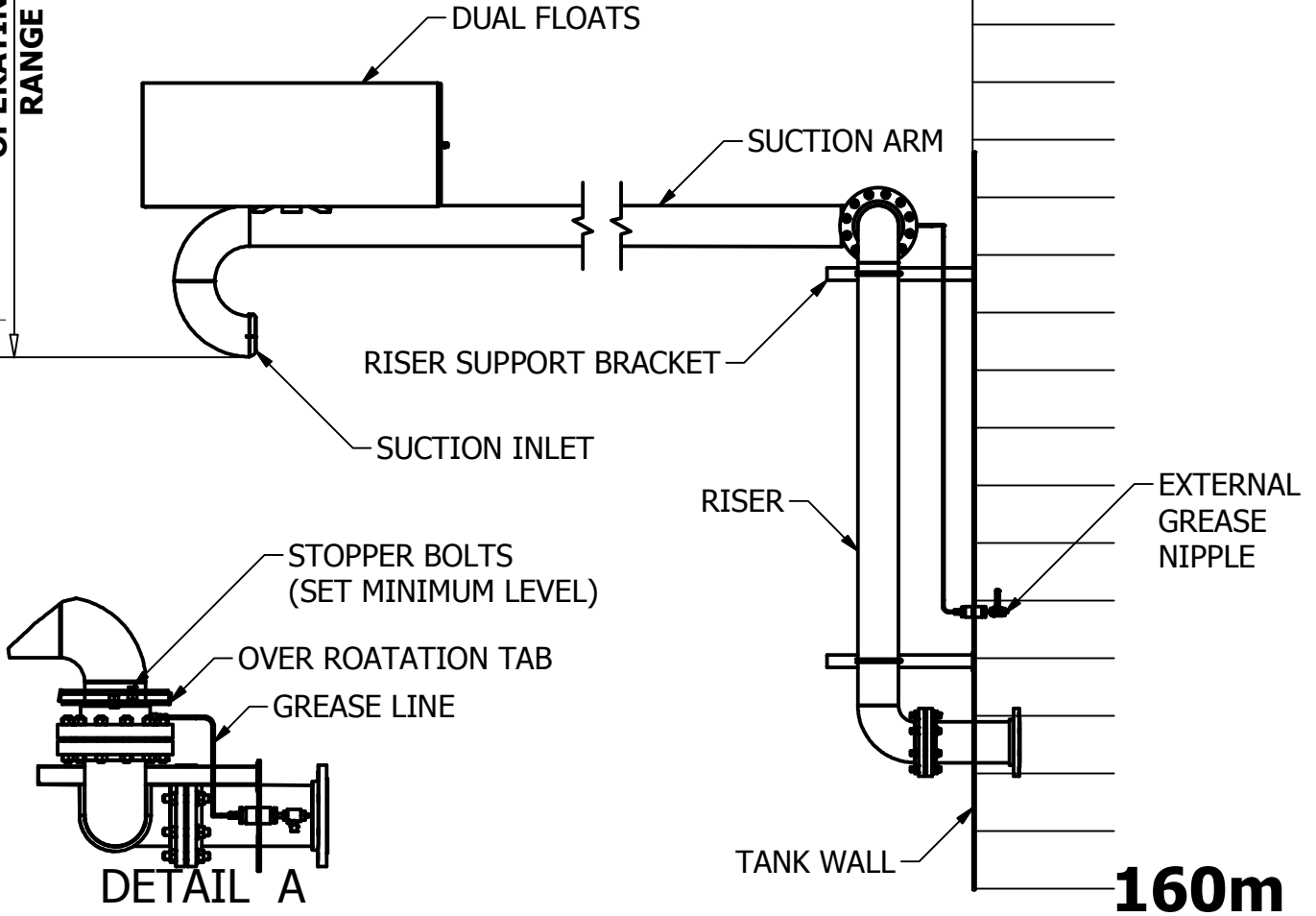
# SKIM SYSTEM

## 6 inch

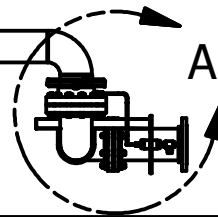
0m

160m

OPERATING RANGE



NOTE: If riser height is greater 8ft  
2 X supports must be used.



### ADDITIONAL OPTIONS

- 3.00 PIPE DIAMETER
- 4.00 PIPE DIAMETER
- 6.00 PIPE DIAMETER

# KENILWORTH COMBUSTION

MODEL NUMBER

Skim System 6"

Contact info  
www.kenilworth.ca  
(780)-853-5340  
info@kenilworth.ca

SIZE  
A

PRODUCT TYPE  
Skim System

REV  
1

SCALE

SHEET 2 OF 2