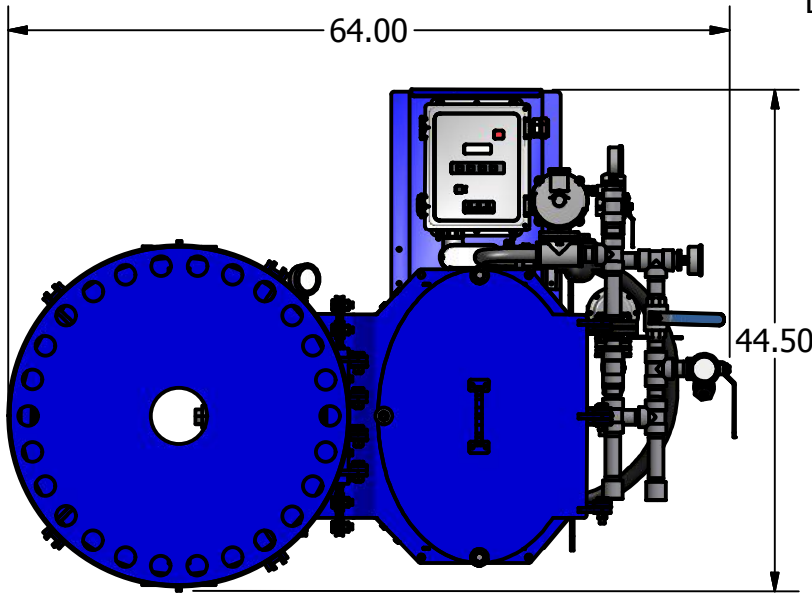
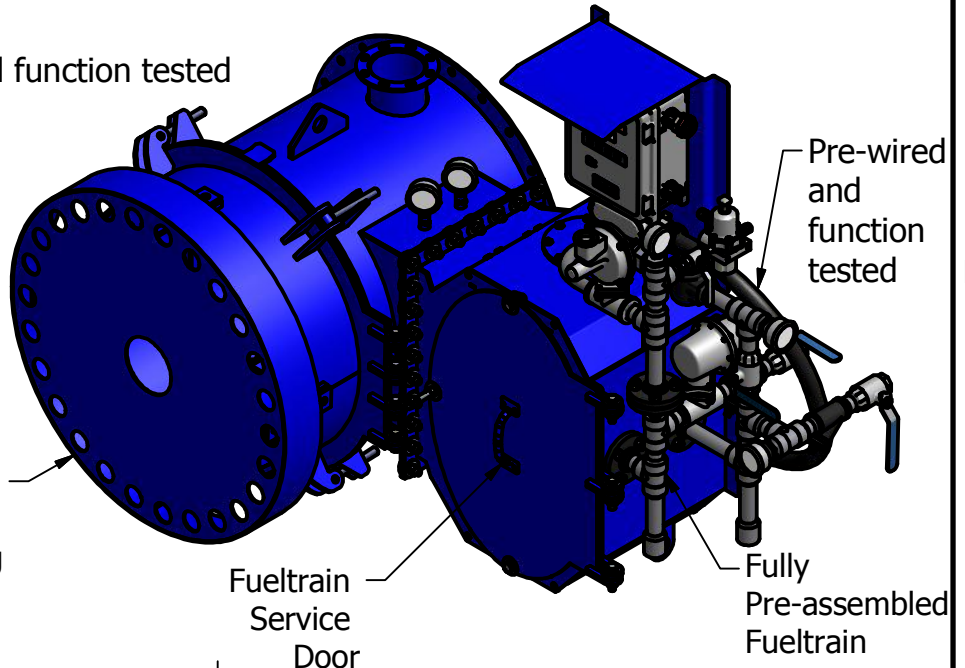


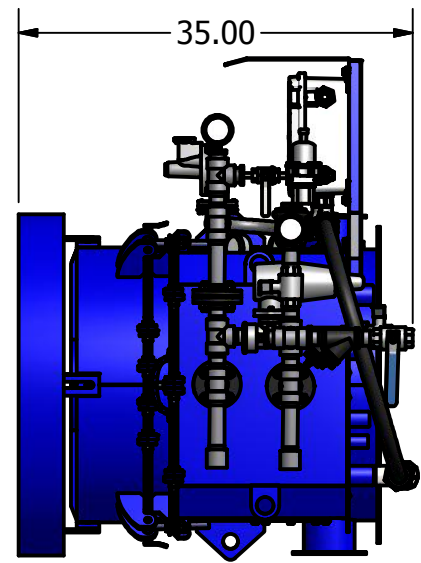
MODEL # 01-U5-BTEX_2012_LP_PILOT

PRODUCT FEATURES:

- Arrives onsite pre-assembled and function tested
- SCC/CSA field approval ready
- Achieve zero BTEX emissions (see "Green Report")
- Includes patented Kenilworth Combustion burner
- Designed to prevent freeze off from wet fuel gas
- Available with 24" or 30" flame arrestor



FRONT VIEW



SIDE VIEW

ADDITIONAL OPTIONS

- 24" or 30" Flame Arrestor
- Choice of Kenilworth Combustion burner
- Pneumatic or Electric BTEX solenoid
- SCC/CSA Field Certification

KENILWORTH COMBUSTION

MODEL NUMBER

01-U5-BTEX_2012_LP_PILOT

Contact info

www.kenilworth.ca
(780)-853-5340
info@kenilworth.ca

SIZE

A

PRODUCT TYPE

01-U5-BTEX_2012

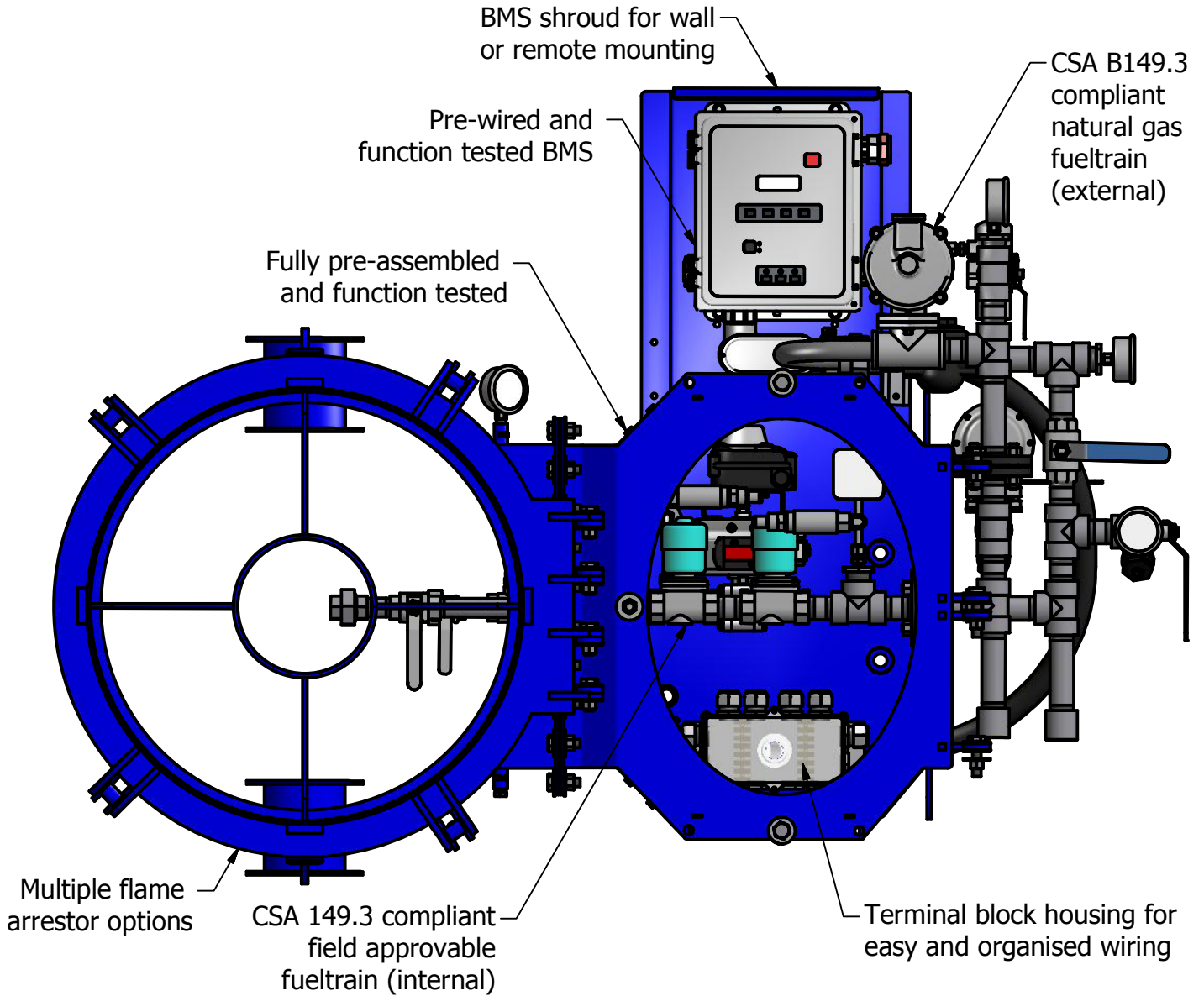
REV

0

SCALE

SHEET 1 OF 2

MODEL # 01-U5-BTEX_2012_LP_PILOT



ADDITIONAL OPTIONS

- 24" or 30" Flame Arrestor
- Choice of Kenilworth Combustion burner
- Pneumatic or Electric BTEX solenoid
- CSA/SCC Field Certification

KENILWORTH COMBUSTION

MODEL NUMBER

01-U5-BTEX_2012_LP_PILOT

Contact info
www.kenilworth.ca
(780)-853-5340
info@kenilworth.ca

SIZE

A

PRODUCT TYPE

01-U5-BTEX_2012

REV

0

SCALE

SHEET 2 OF 2