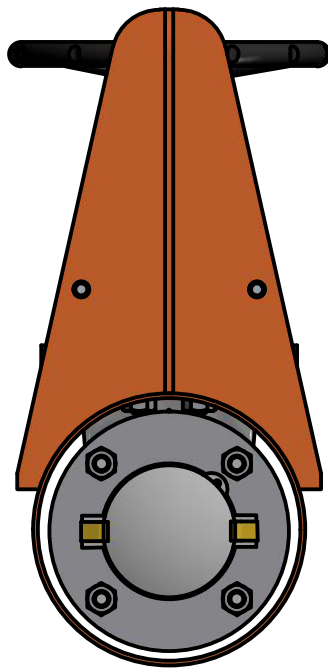
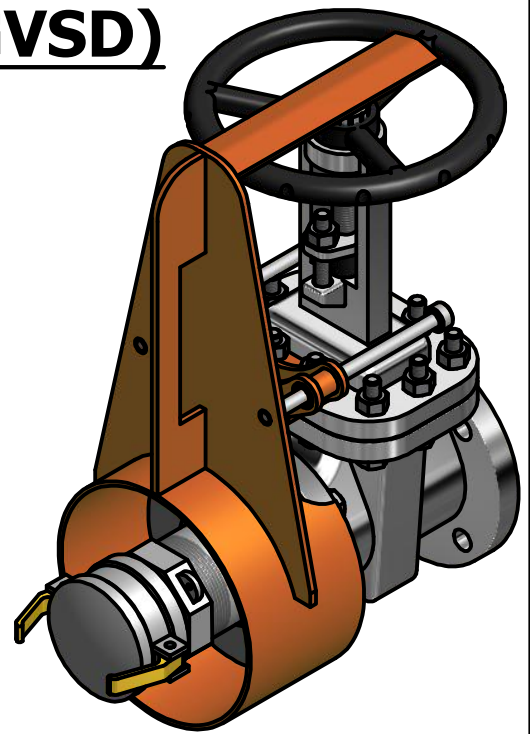


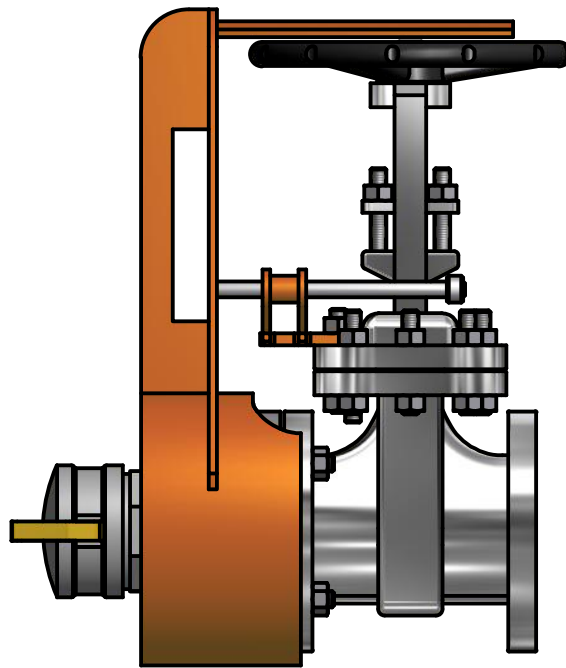
GATE VALVE SAFETY DEVICE(3-W320 GVSD)

PRODUCT FEATURES:

- For 3" Velan Gate Valve
- Mounts to existing gate valve
- Rugged design
- Simple operation
- No safety bypass
- Quick Installation
- Mild steel construction
- Reduce oil spills on site due to accidental valve opening or disconnections



FRONT VIEW



SIDE VIEW

ADDITIONAL OPTIONS

KENILWORTH COMBUSTION

MODEL NUMBER
GATE VALVE SAFETY DEVICE(GVSD)

Contact info
www.kenilworth.ca
(780)-853-5340
info@kenilworth.ca

SIZE	A	PRODUCT TYPE	REV
		GVSD	0
SCALE	SHEET 1 OF 1		