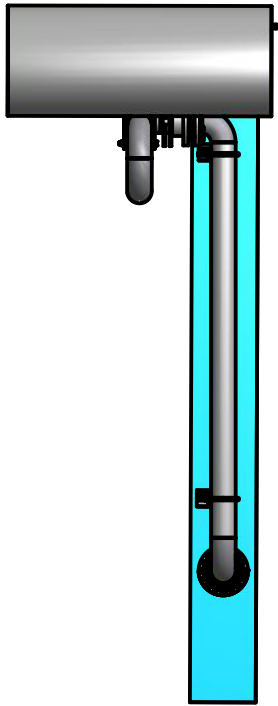
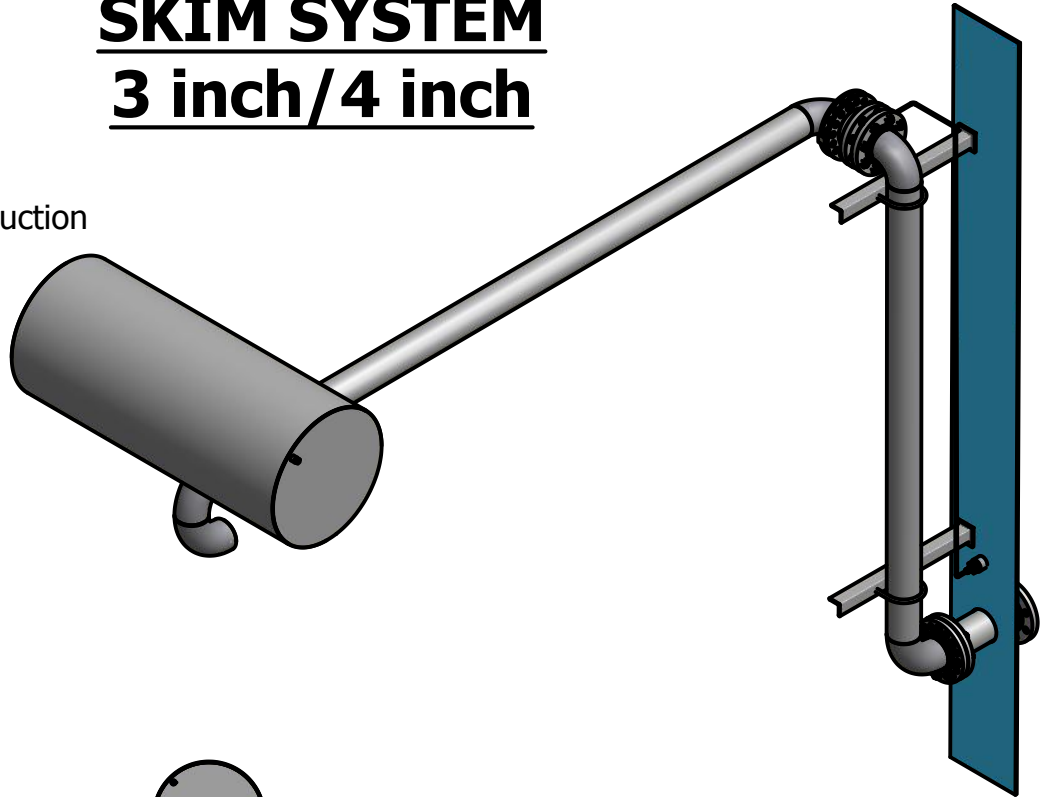


# SKIM SYSTEM

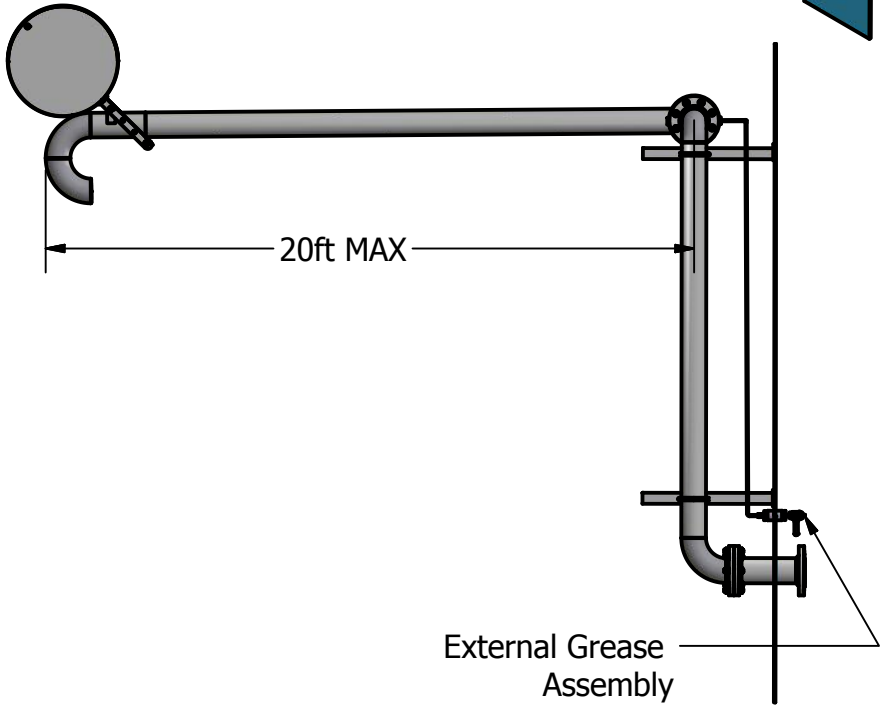
## 3 inch / 4 inch

**PRODUCT FEATURES:**

- 316 Stainless Steel Construction
- No Cables
- Free Floating
- Easy Installation
- Externally Maintained
- Available in 3" and 4"
- 20 Years of Proven Field Performance



FRONT VIEW



SIDE VIEW

ADDITIONAL OPTIONS

- 3.00 PIPE DIAMETER
- 4.00 PIPE DIAMETER
- 6.00 PIPE DIAMETER

# KENILWORTH COMBUSTION

MODEL NUMBER

Skim System

Contact info

www.kenilworth.ca  
(780)-853-5340  
info@kenilworth.ca

SIZE

A

PRODUCT TYPE

Skim System\_Spec Page

REV

1

SCALE

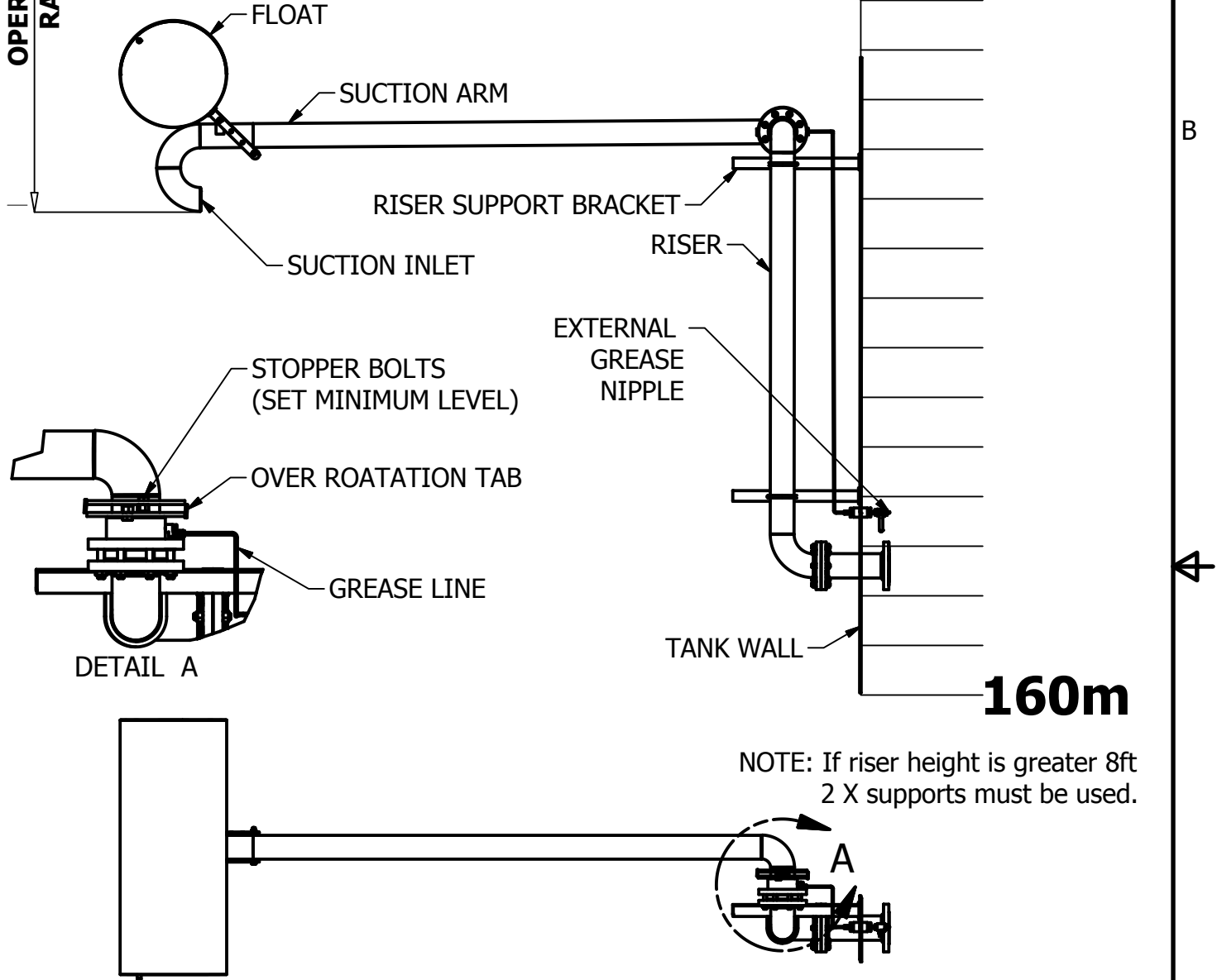
SHEET 1 OF 2

# SKIM SYSTEM 3 inch/4 inch

0m

160m

OPERATING RANGE



ADDITIONAL OPTIONS

- 3.00 PIPE DIAMETER
- 4.00 PIPE DIAMETER
- 6.00 PIPE DIAMETER

## KENILWORTH COMBUSTION

MODEL NUMBER  
**Skim System**

Contact info  
www.kenilworth.ca  
(780)-853-5340  
info@kenilworth.ca

SIZE  
**A**

PRODUCT TYPE  
**Skim System\_Spec Page**

REV  
**1**

SCALE

SHEET 2 OF 2