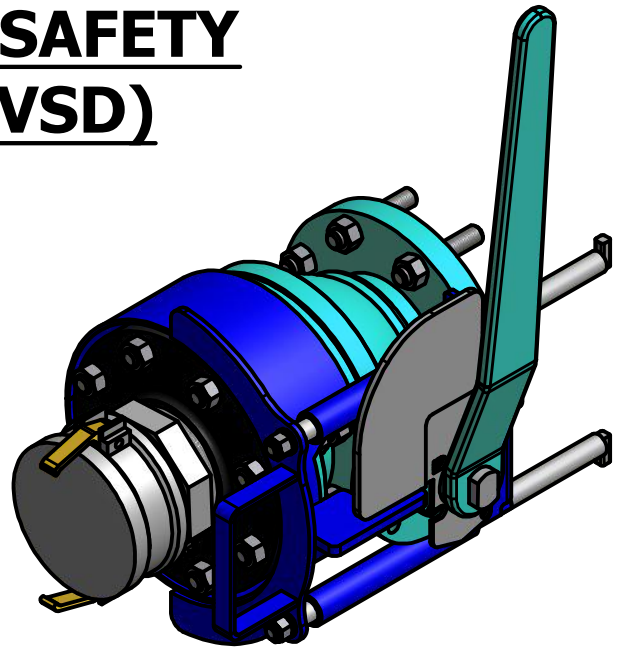


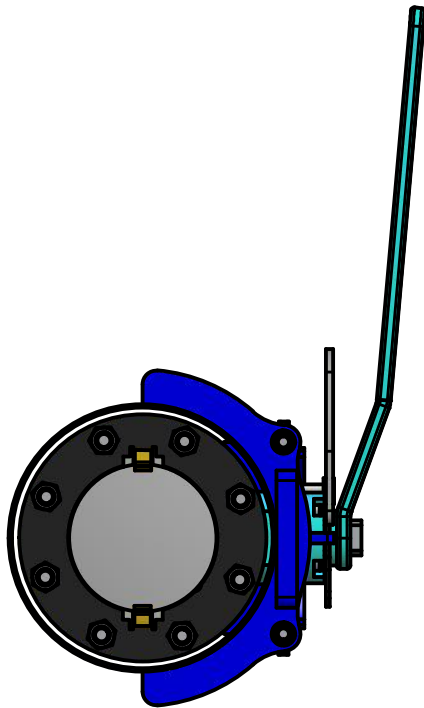
BALL VALVE SAFETY DEVICE(BVSD)

PRODUCT FEATURES:

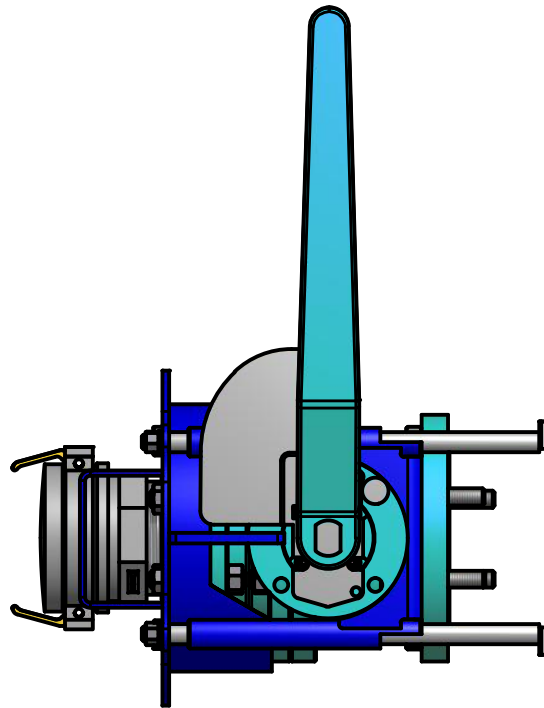
- Mounts to existing ball valve
- Rugged design
- Simple operation
- No safety bypass
- Quick Installation
- All steel construction
- Reduce oil spills on site due to accidental valve opening or disconnections



Patent Pending



FRONT VIEW



SIDE VIEW

ADDITIONAL OPTIONS

KENILWORTH COMBUSTION

MODEL NUMBER
BALL VALVE SAFETY DEVICE(BVSD)

Contact info
www.kenilworth.ca
(780)-853-5340
info@kenilworth.ca

| | | | |
|-------|--------------|--------------|-----|
| SIZE | A | PRODUCT TYPE | REV |
| | | BVSD | 0 |
| SCALE | SHEET 1 OF 1 | | |