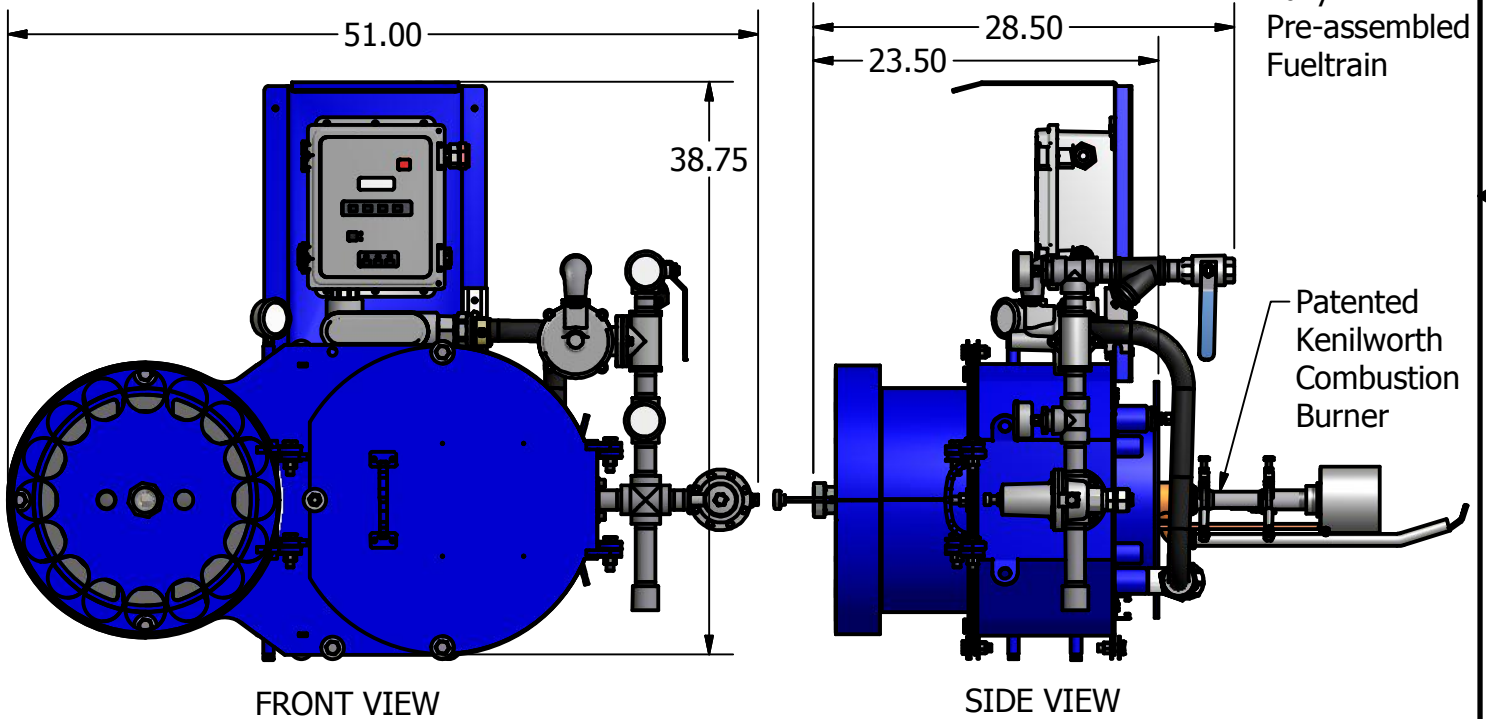
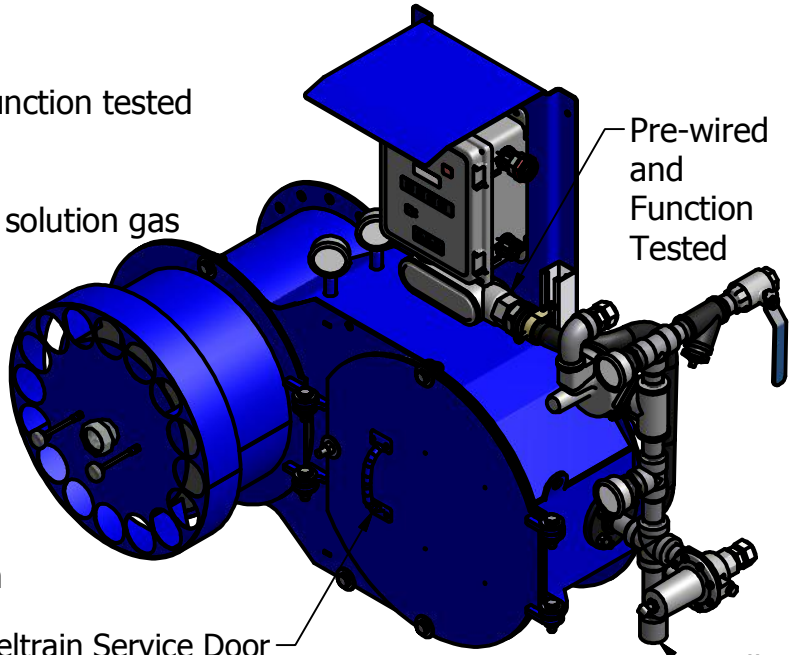


# MODEL # U1\_2011\_LP\_SLS

## PRODUCT FEATURES:

- Arrives onsite pre-assembled and function tested
- SCC/CSA field approval ready
- CSA B149.3 compliant
- Dual fuel capable, run propane and solution gas without changing orifices
- All applications under 1MM BTU/hr
- Includes patented Kenilworth Combustion burner
- Reduced installation time by 90%
- Fits tube size from 6"-12"
- Low pressure applications (10 PSI max inlet)
- Designed to prevent freeze off from wet fuel gas



## ADDITIONAL OPTIONS

- BMS Choice
- SCC/CSA Field Certification
- Slipstream or Pilot Burner Configuration
- Pre-installed Heat Tracing

# KENILWORTH COMBUSTION

MODEL NUMBER

U1\_2011\_LP\_SLS\_PF\_24\_RH

## Contact info

www.kenilworth.ca  
(780)-853-5340  
info@kenilworth.ca

SIZE

A

PRODUCT TYPE

U1\_2011\_LP\_SLS

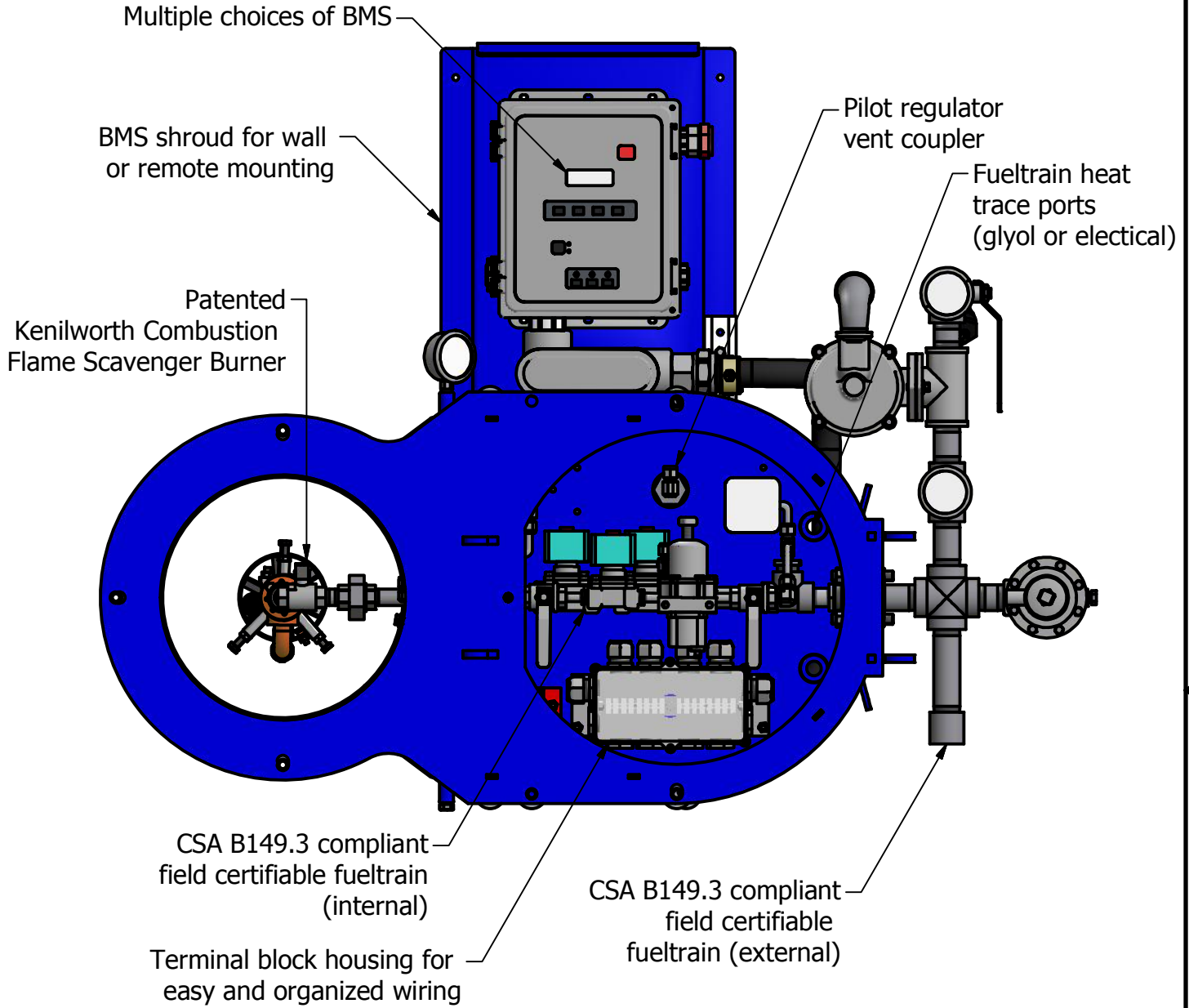
REV

1

SCALE

SHEET 1 OF 2

# MODEL # U1\_2011\_LP\_SLS



## Internal View

### ADDITIONAL OPTIONS

- BMS Choice
- SCC/CSA Field Certification
- Slipstream or Pilot Burner Configuration
- Pre-installed Heat Tracing

## KENILWORTH COMBUSTION

MODEL NUMBER

U1\_2011\_LP\_SLS\_PF\_24\_RH

Contact info  
[www.kenilworth.ca](http://www.kenilworth.ca)  
 (780)-853-5340  
[info@kenilworth.ca](mailto:info@kenilworth.ca)

SIZE

A

PRODUCT TYPE

U1\_2011\_LP\_SLS

REV

1

SCALE

SHEET 2 OF 2