

PROJECT INFORMATION FORM (PIF)

CUSTOMER INFO

Date: _____
 Company Name: _____
 Purchase Order(AFE,Cost Center,ETC): _____
 (required at time or order)
 Billing Address: _____
 Billing Contact: _____
 Phone: _____
 Fax: _____
 Email: _____
 Quote #: _____

PROJECT INFO

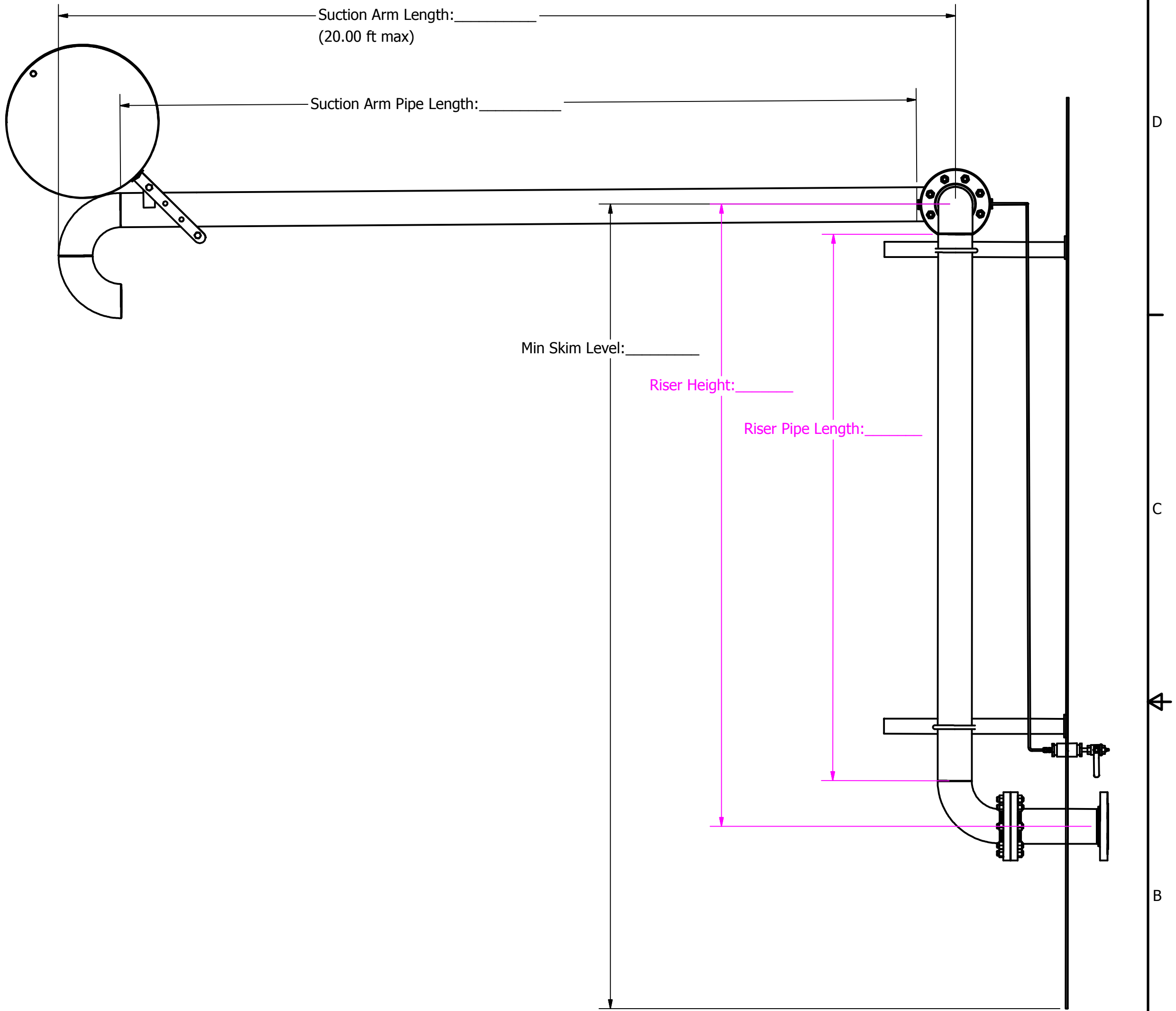
End User: _____
 Quantity RH 3": _____
 Quantity LH 3": _____
 Quantity RH 4": _____
 Quantity LH 4": _____
 Include Support Brackets: _____
 Tank Diameter: _____
 Max Skim Level: _____
 Min Skim Level: _____
 Nozzle Height: _____
 Special Instructions: _____

Additional Special Components: _____

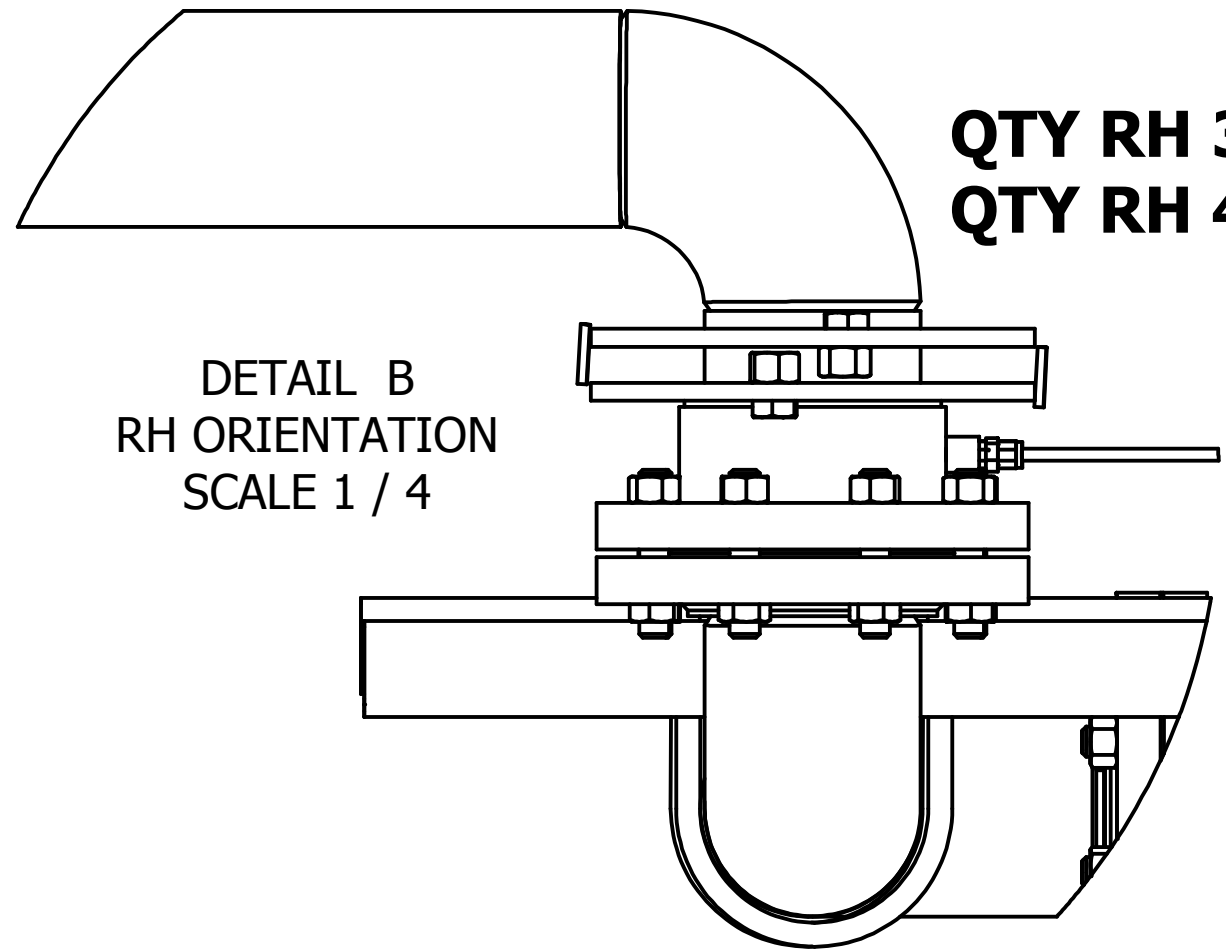
SHIPPING INFO

Shipping Address: _____

 Shipping Method: _____
 Shipping Packing Required: _____
 Land Location: _____
 Shipping Contact: _____
 Phone: _____
 Fax: _____
 Email: _____

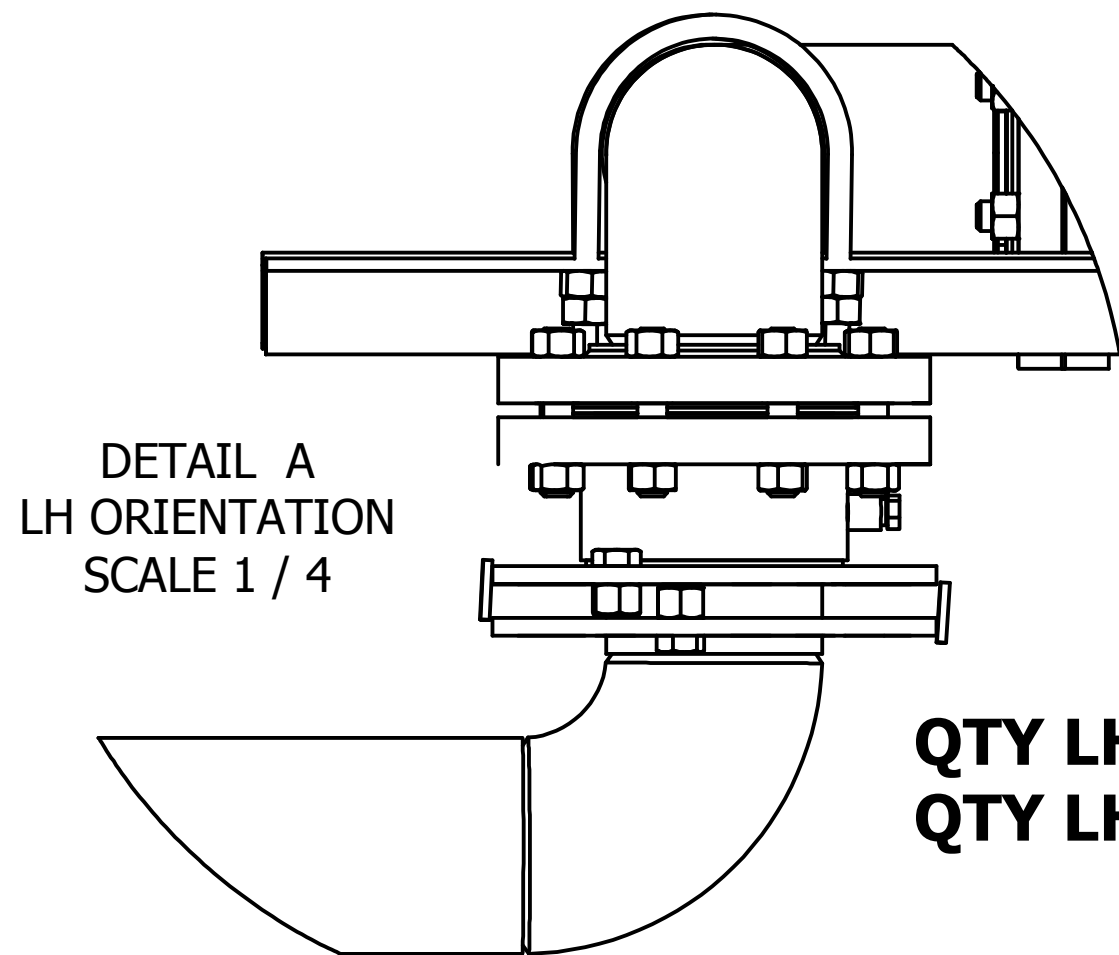


DRAWN owner	16/04/2012	KENILWORTH COMBUSTION		
CHECKED		TITLE		
QA		Skim System_Project Information Form (PIF)		
MFG		SIZE C	DWG NO 4.00 in Skim System_Installation and PIF_REV 2	REV 0
APPROVED		SCALE	SHEET 1 OF 3	



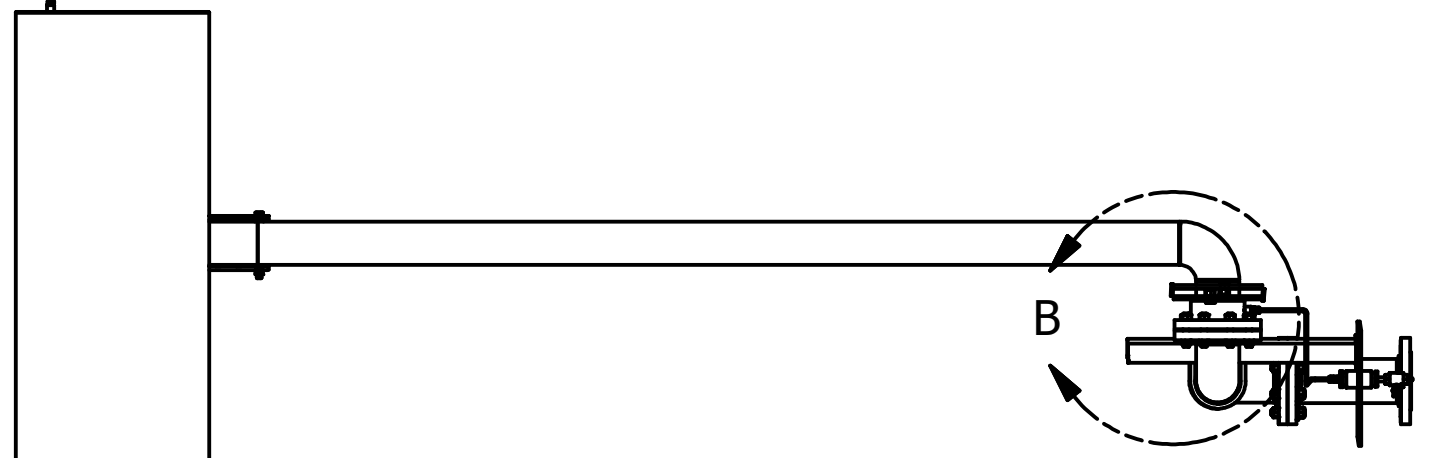
DETAIL B
RH ORIENTATION
SCALE 1 / 4

QTY RH 3": _____
QTY RH 4": _____



DETAIL A
LH ORIENTATION
SCALE 1 / 4

QTY LH 3": _____
QTY LH 4": _____



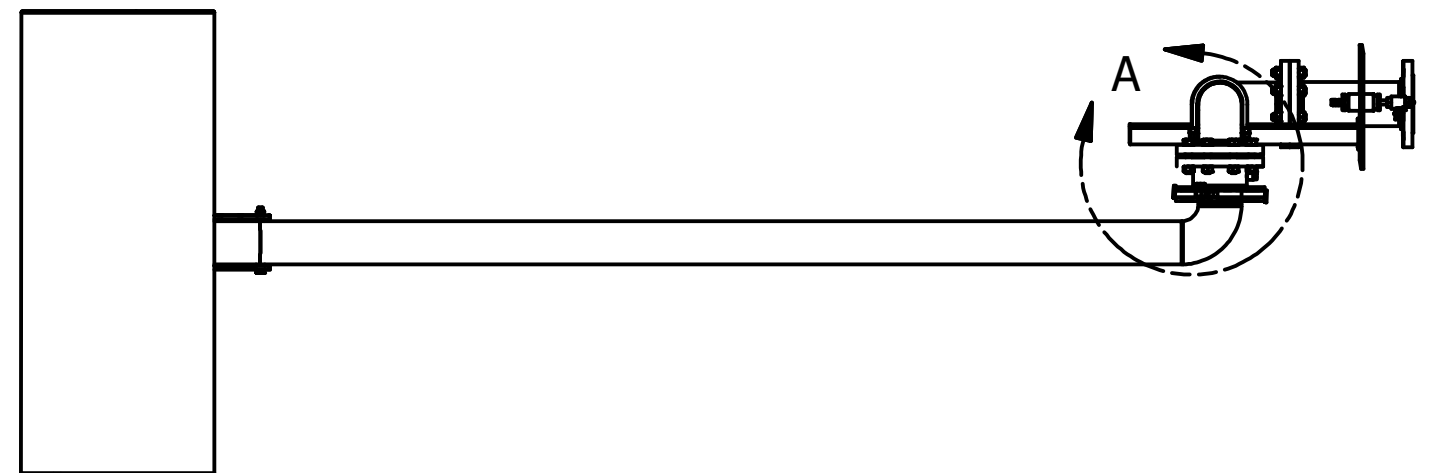
PROJECT INFORMATION FORM (PIF)

BUILD INFO

Suction Arm Pipe Length: _____
 Riser Pipe Length: _____
 Tubing Length Required: _____
 Include Support Brackets: _____
 Quantity RH 3": _____
 Quantity LH 3": _____
 Quantity RH 4": _____
 Quantity LH 4": _____
 Min Skim Level: _____
 Suction Arm Length: _____

QA/QC INFO

Heat Numbers: _____



DRAWN owner	16/04/2012	KENILWORTH COMBUSTION		
CHECKED		TITLE		
QA		Skim System_Project Information Form (PIF)		
MFG		SIZE C	DWG NO 4.00 in Skim System_Installation and PIF_REV 2	REV 0
APPROVED		SCALE	SHEET 2 OF 3	

4

3

2

1

D

D

C

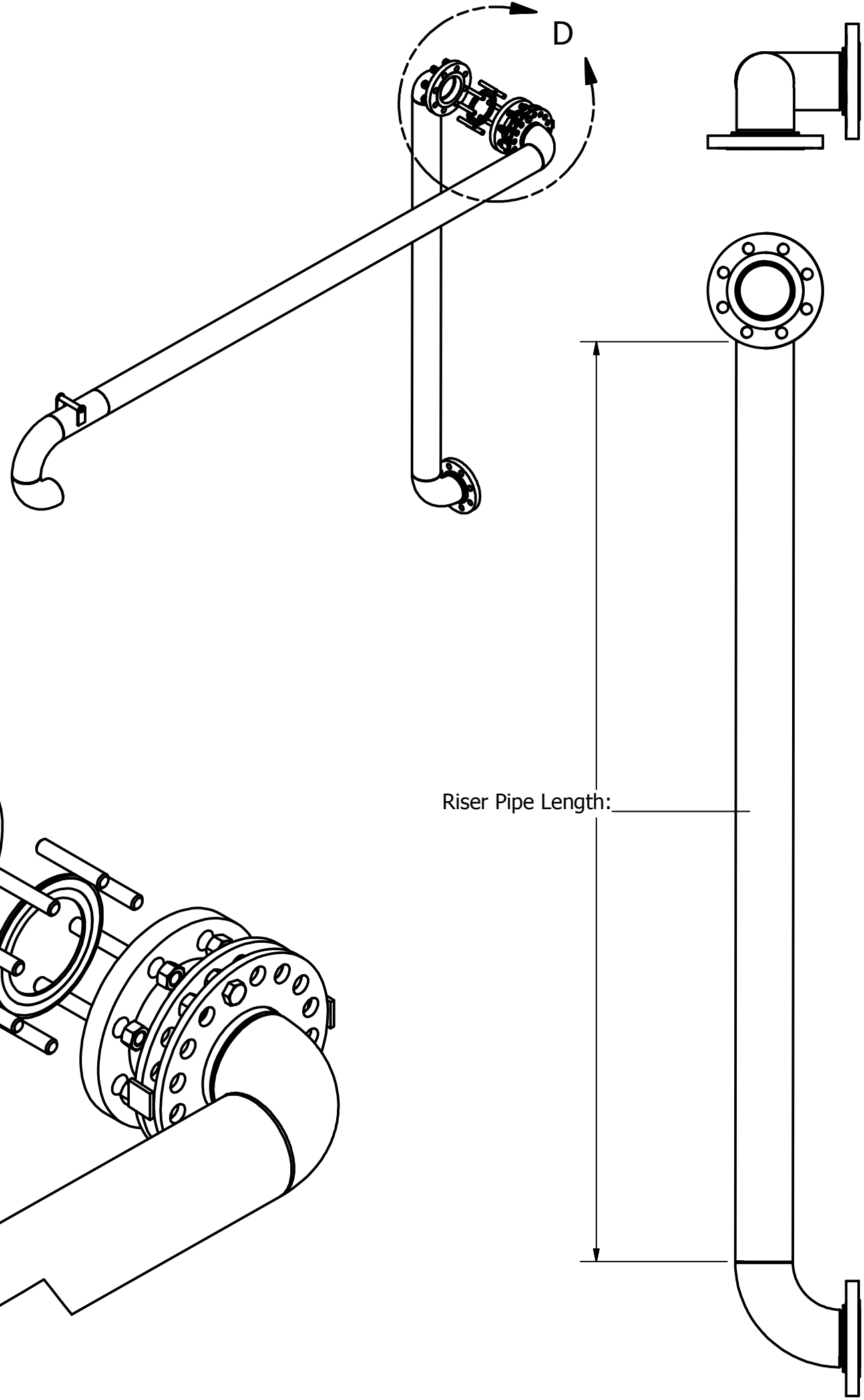
C

B

B

A

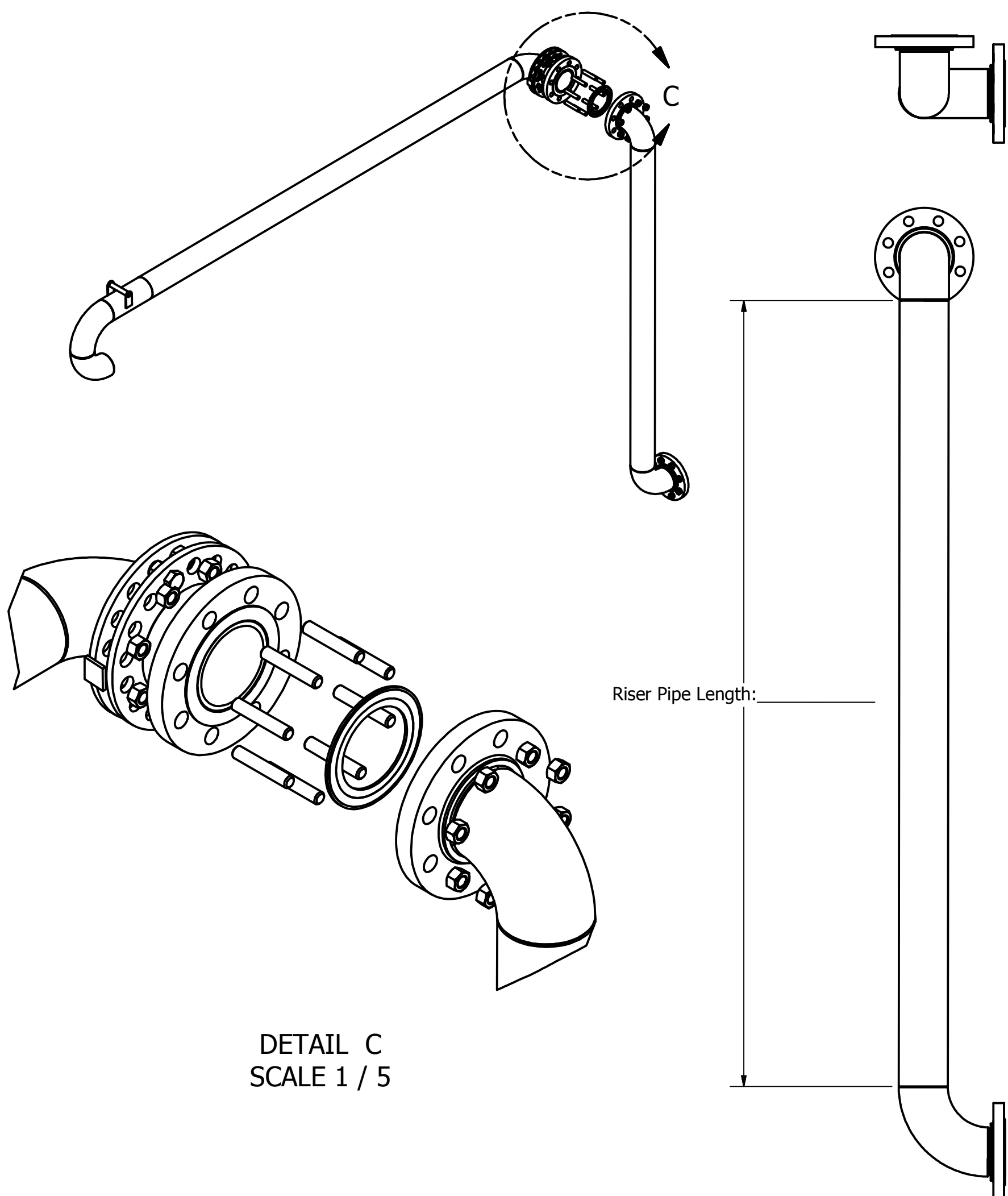
A



DETAIL D
SCALE 1 / 5

LH Riser Configuration

QTY LH 3": _____
QTY LH 4": _____



DETAIL C
SCALE 1 / 5

RH Riser Configuration

QTY RH 3": _____
QTY RH 4": _____

DRAWN owner	16/04/2012	KENILWORTH COMBUSTION		
CHECKED		TITLE		
QA		Skim System_Project Information Form (PIF)		
MFG		SIZE	DWG NO	REV
APPROVED		C	4.00 in Skim System_Installation and PIF_REV 2	0
		SCALE	SHEET 3 OF 3	

4

3

2

1