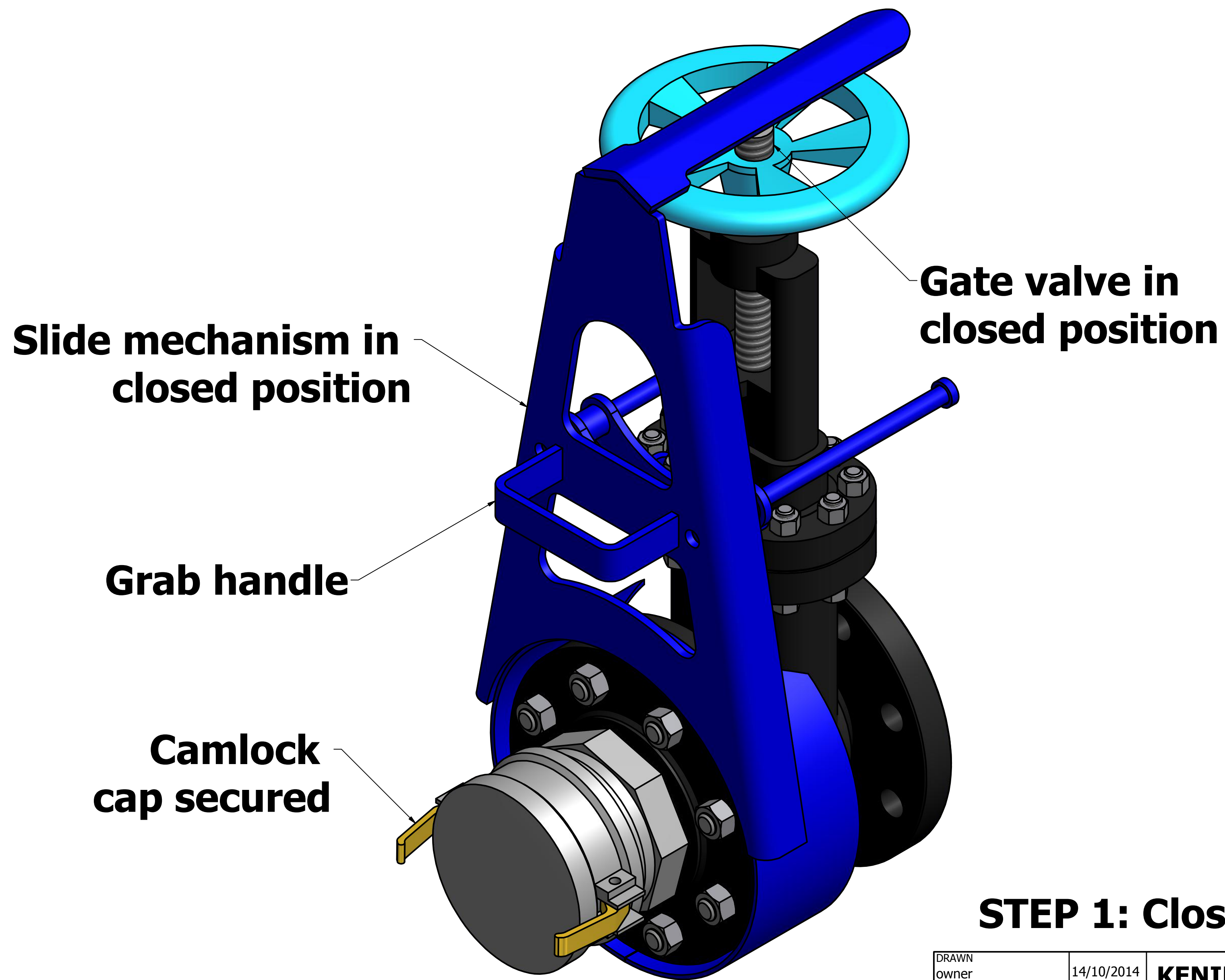
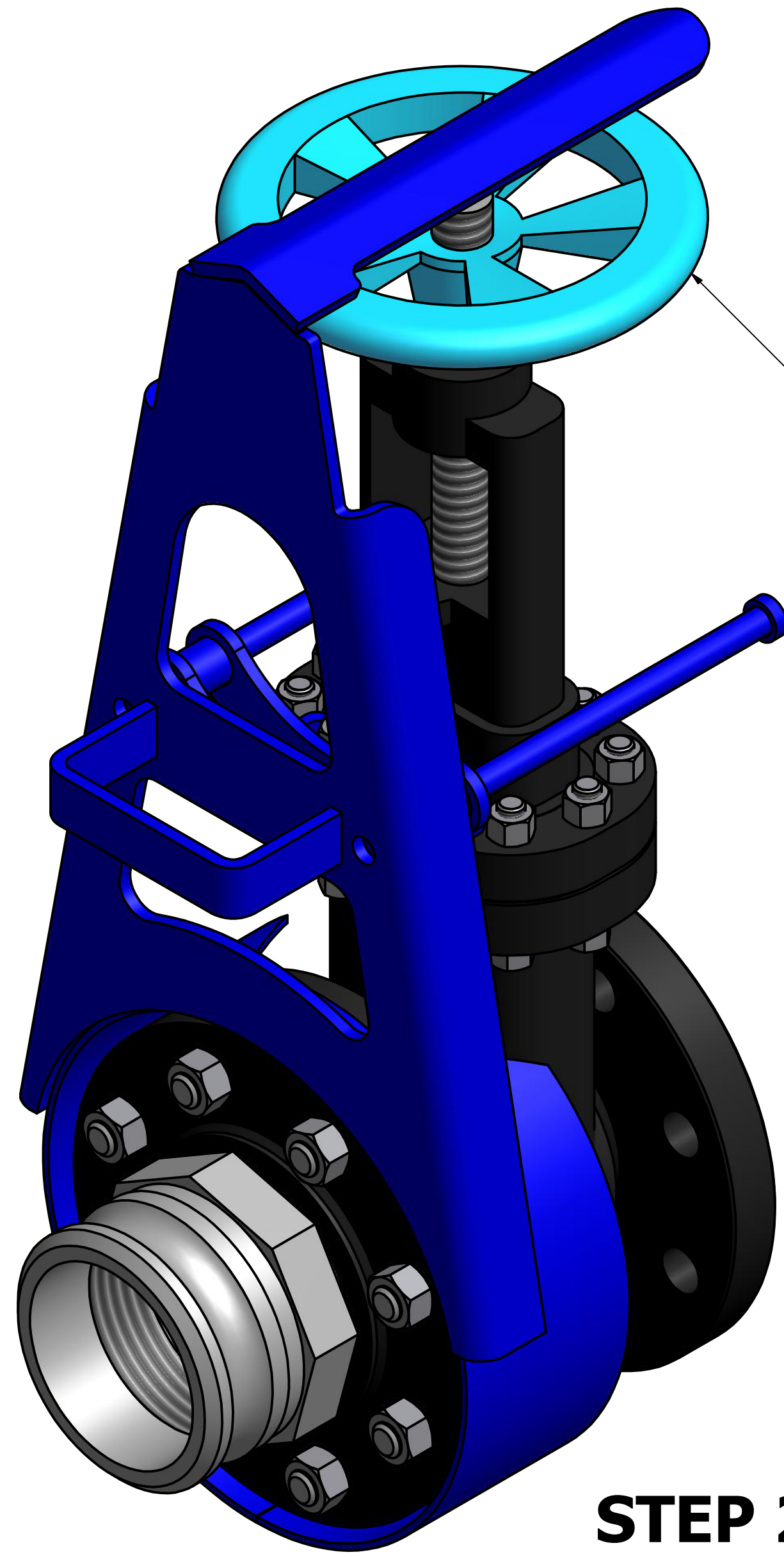


# Gate Valve Safety Device: Function



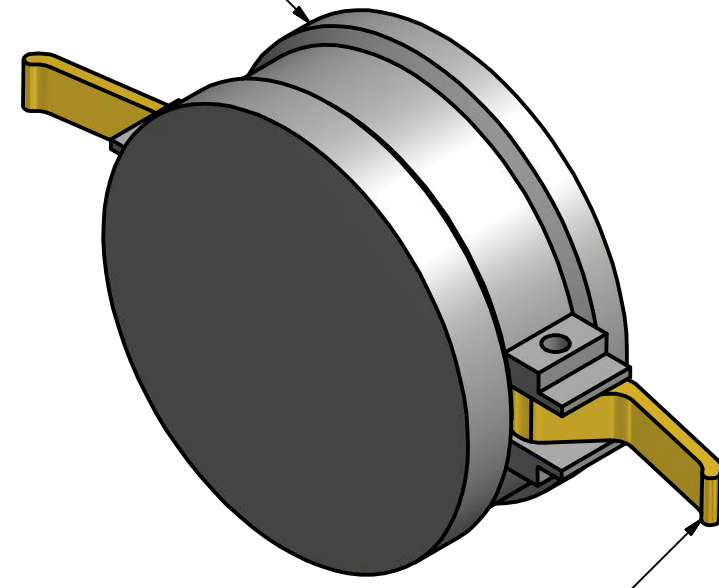
## STEP 1: Closed Position

DRAWN owner	14/10/2014	<b>KENILWORTH COMBUSTION</b>		
CHECKED		TITLE		
QA		GVSD_Step by Step		
MFG				
APPROVED		SIZE	DWG NO	REV
		C	GVSD_Step by Step	
		SCALE	SHEET 1 OF 4	



**Gate valve in closed position**

**Camlock cap removed**

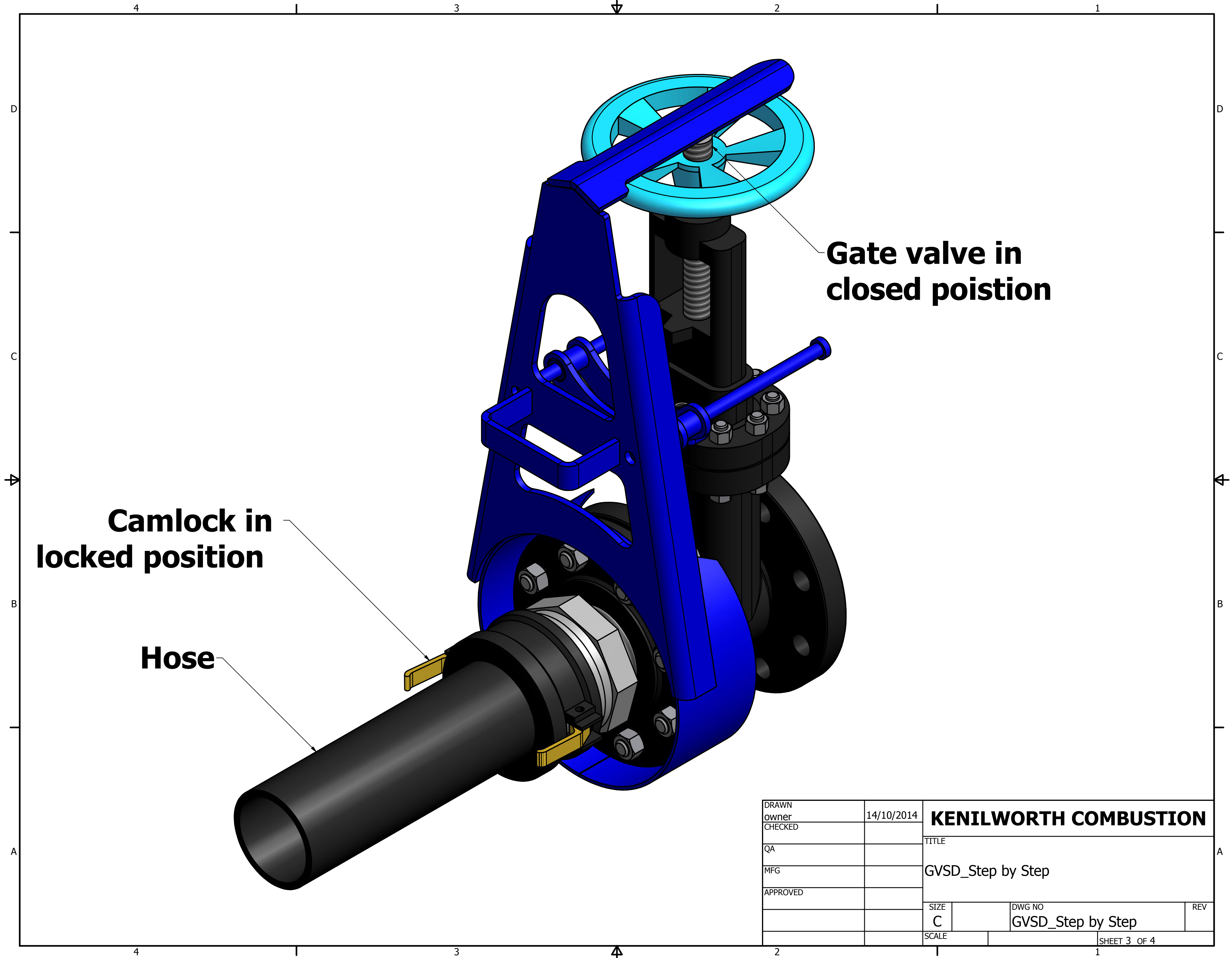


**Camlock released**

**STEP 2: Valve in closed position  
Cap removed**

DRAWN owner	14/10/2014	<b>KENILWORTH COMBUSTION</b>		
CHECKED		TITLE		
QA		GVSD_Step by Step		
MFG				
APPROVED		SIZE C	DWG NO GVSD_Step by Step	REV
		SCALE	SHEET 2 OF 4	



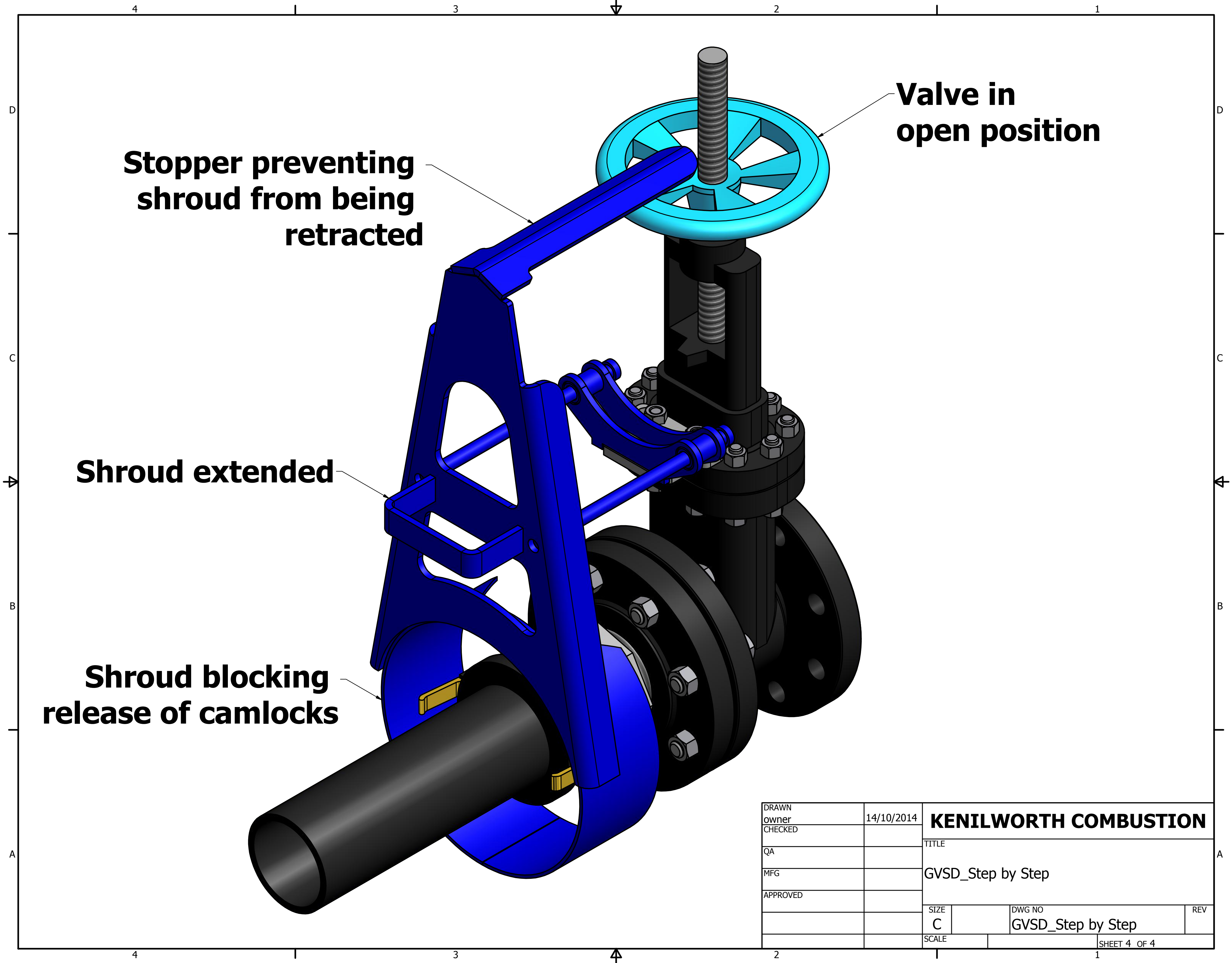


**Gate valve in closed poistion**

**Camlock in locked position**

**Hose**

DRAWN owner	14/10/2014	<b>KENILWORTH COMBUSTION</b>		
CHECKED		TITLE		
QA		GVSD_Step by Step		
MFG				
APPROVED		SIZE	DWG NO	REV
		C	GVSD_Step by Step	
		SCALE	SHEET 3 OF 4	



**Valve in open position**

**Stopper preventing shroud from being retracted**

**Shroud extended**

**Shroud blocking release of camlocks**

DRAWN owner	14/10/2014	<b>KENILWORTH COMBUSTION</b>		
CHECKED		TITLE		
QA		GVSD_Step by Step		
MFG				
APPROVED		SIZE	DWG NO	REV
		C	GVSD_Step by Step	
		SCALE	SHEET 4 OF 4	